

NOBLELIFT
We promise, We deliver

Noblelift Headquarters

Add:#528 Changzhou Road, Taihu
Sub-district, Changxing, 313100, China
TEL:+86 572 6210311/6120989
FAX:+86 572 6129336
WEB:www.noblelift.com
Email: info@noblelift.com



Official website Our Wechat

Noblelift North America Corp.

Add:2461 S Wolf Road, Des Plaines, IL 60018
Tel:847-595-7100
Fax:847-595-7200
Email:sales@nobleliftna.com
Http: www.nobleliftna.com

Noblelift Europe GmbH

Add:Borsigstrasse 9d-93092 Barbing
Germany
TEL:+49 9401 607930
FAX:+49 9401 6079329
WEB:www.noblelifteuopr.com
Email: mail@noblelifteurope.com

Noblelift Russia

ООО "Ноблелифт Рус"
194292, Санкт-Петербург
Домостроительная ул. 4А офис 301
Бизнес-центр "Парнас"
тел.: +7 (800) 700-28-97
Email: sales@noblelift.com.ru

NOBLELIFT
Material Handling

PTE15-C

Electric Pallet Truck

SPT15-C

Semi-electric Pallet Truck



Powered Pallet Truck



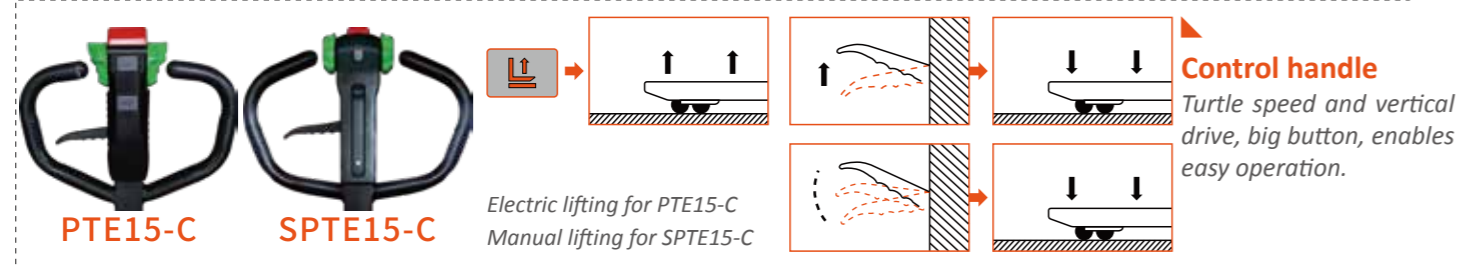
NEW Noblelift Products
ARRIVAL

NOBLELIFT INTELLIGENT EQUIPMENT CO., LTD

www.noblelift.com

Introduction:

The PTE15-C and SPTE15-C series pallet trucks are the smart design best value electric and semi-electric pallet trucks which is perfect alternative to hand pallet trucks, it will increase the material handling efficiency and bring down the total cost esp. the labor involved.



PTE15-C **SPTE15-C**

Electric lifting for PTE15-C
Manual lifting for SPTE15-C

Control handle
Turtle speed and vertical drive, big button, enables easy operation.



PTE15-C **SPTE15-C**

PTE15-C



Suspension Castor
Optional bigger castor with excellent stability.

Drive system
48V DC brushless motor, maintenance free, big transmission ratio gearbox, high gradeability, low energy consumption.



Fully enclosed drive wheel cover
Rigid and robust fully enclosed drive wheel cover gives all-round foot protection for operator.



Emergency switch
Emergency switch located where you can easily reach and control, assuring safety for people and truck.



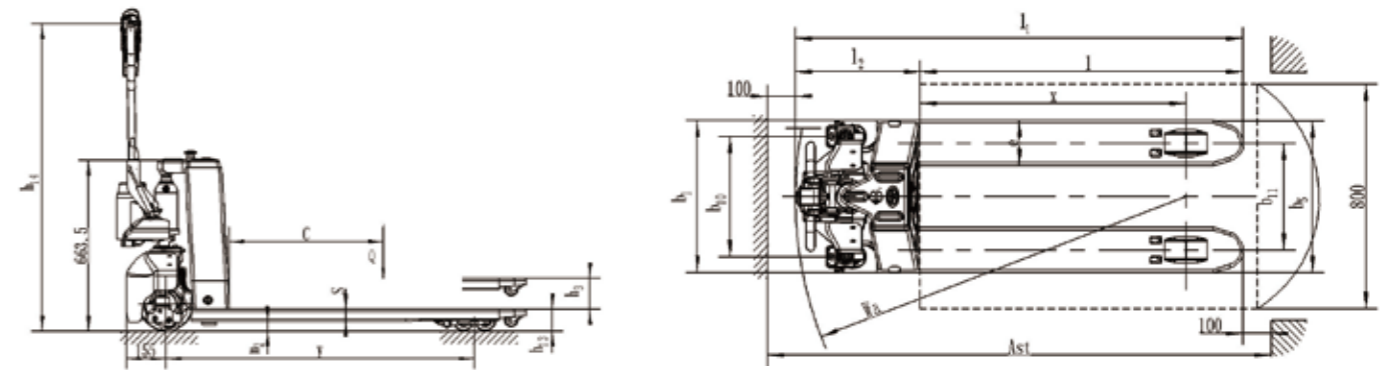
Multi-functional combo gauge
Integrated with on/off button, battery discharge indicator, fault code, speed setting etc.



Controller kit
One piece design allows for easy installation, maintenance and replacement.



Lithium Iron Phosphate Battery
48v LFP battery, easy replacement, low energy consumption, long working time, safer and stable cell with long service life.



Type sheet for industrial truck acc. to VDI 2198

Distinguishing mark			PTE15-C	SPTE15-C
1.2	Manufacturer's type designation		PTE15-C	SPTE15-C
1.3	Drive		Battery	Battery
1.4	Operator type		Pedestrian	Pedestrian
1.5	Load Capacity / rated load	Q (t)	1.5	1.5
1.6	Load centre distance	c (mm)	600	600
1.8	Load distance ,centre of drive axle to fork	x (mm)	950	950
1.9	Wheelbase	y (mm)	1200	1200
Weight				
2.1	Service weight	kg	130	130
2.2	Axle loading, laden front/rear	kg	570 / 1060	570 / 1060
2.3	Axle loading, unladen front/rear	kg	100 / 30	100 / 30
Tyres, chassis				
3.1	Tires		Polyurethane	Polyurethane
3.2	Tire size, front	Øxw (mm)	Ø 210×70	Ø 210×70
3.3	Tire size, rear	Øxw (mm)	Ø 80×93 / Ø 80×70	Ø 80×93 / Ø 80×70
3.4	Additional wheels(dimensions)	Øxw (mm)	-/Ø 80×30	-/Ø 80×30
3.5	Wheels, number front/rear(x=driven wheels)		1x/ 2	1x/ 2
3.6	Tread, front	b10 (mm)	-/430	-/430
3.7	Tread, rear	b11 (mm)	380 / 525	380 / 525
Dimensions				
4.4	Lift	h3 (mm)	115	115
4.9	Height of tiller in drive position min./ max.	h14 (mm)	680 / 1190	680 / 1190
4.15	Height, lowered	h13 (mm)	80	80
4.19	Overall length	l1 (mm)	1595	1595
4.20	Length to face of forks	l2 (mm)	445	445
4.21	Overall width	b1 (mm)	540 / 685	540 / 685
4.22	Fork dimensions	s/e/l (mm)	47 / 160 / 1150	47 / 160 / 1150
4.25	Distance between fork-arms	b5 (mm)	540 / 685	540 / 685
4.32	Ground clearance, centre of wheelbase	m2 (mm)	37	37
4.34	Aisle width for pallets800X1200 lengthways (200mm safe distance)	Ast (mm)	2310	2310
4.35	Turning radius	Wa (mm)	1390	1390
Performance Data				
5.1	Travel speed, laden/ unladen	km/h	4.5/ 4.8	4.5/ 4.8
5.2	Lift speed, laden/ unladen	m/s	0.015 / 0.02	Manual
5.3	Lowering speed, laden/ unladen	m/s	0.06 / 0.04	0.06 / 0.04
5.8	Max. gradeability, laden/ unladen	%	5 / 15	5 / 15
5.10	Service brake		Electromagnetic	Electromagnetic
Electric- engine				
6.1	Drive motor rating S2 60min	kW	0.75	0.75
6.2	Lift motor rating at S3 10%	kW	0.8	-
6.3	Battery acc. to DIN 43531/35/36 A, B, C, no		No	No
6.4	Battery voltage, nominal capacity K5	V / Ah	48 / 12	48 / 12
6.5	Battery weigh	kg	5	5
6.6	Energy consumption acc: to VDI cycle	kWh/h	0.1	0.1
Additional data				
8.1	Type of drive control		BLDC	BLDC
8.4	Sound level at driver's ear acc. to EN 12053	dB(A)	<70	<70