



ES12-12WA

ES14-14WA

ES16-16WA

Electric Stacker 1.0-1.6t

Ideal Choice for Heavy Duty Short Distance Handling and Stacking Tasks:  
Long-tiller Design Makes Operations Easy and Convenient;  
Long aside tiller offers wider view and safer operation.

REDDOT EQUIPMENT LIMITED  
[www.reddotequipment.com](http://www.reddotequipment.com)

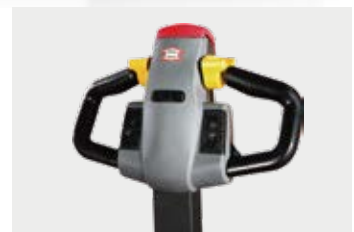
**Electric  
Stacker**



## FEATURE

### Performance

- The innovative AC system offers strong power, accurate control, excellent performance.
- High strength vertical gearbox, longer working life.
- Low-noise but durable hydraulic unit, good quality cylinder as well as hose ensure the high reliability of hydraulic system.
- AMP connector and durable electric wires greatly reduce malfunctions of components.
- H shape mast channel mast improves the strength of the whole truck.



### Safety

- Safe hydraulic system design prevents mast from falling down abruptly when hydraulic pipeline cuts off.
- Emergency reverse belly button protects the operator from getting hurt.
- Emergency disconnecter will cut off power source to avoid accident when truck goes out of control.
- Multiple lifting limit protection ensures safety.
- Automatic switch to lower speed when the fork reaches its setting height.
- Anti-rolling back brake keeps the truck from skidding down when truck is out of control or travelling on ramp.
- Long aside tiller reduces operator's hazards.

### Operation

- With the new design of ergonomical tiller head, all buttons can be reached conveniently & comfortably.
- Creep speed function: when tiller is in near vertical position, the driving speed will decrease automatically, allowing delicate operation in confined space.
- Long tiller offers easier operation.
- Aside Operation, Greater View.

### Maintenance

- AC traction motor, maintenance free.
- Hour meter and battery indicator remind the operator of battery charging.
- Back cover can be removed easily ; Access to all key components for inspection, maintenance and replacement.
- Easy access for battery maintenance.
- Vertical motor makes the inspection & service much more convenient.
- Control system allows easy trouble-shooting.
- Mast and chassis are assembled together, easy for maintenance.
- Low voltage cut off setting protects batteries.

# Electric Stacker 1.2/1.4/1.6t

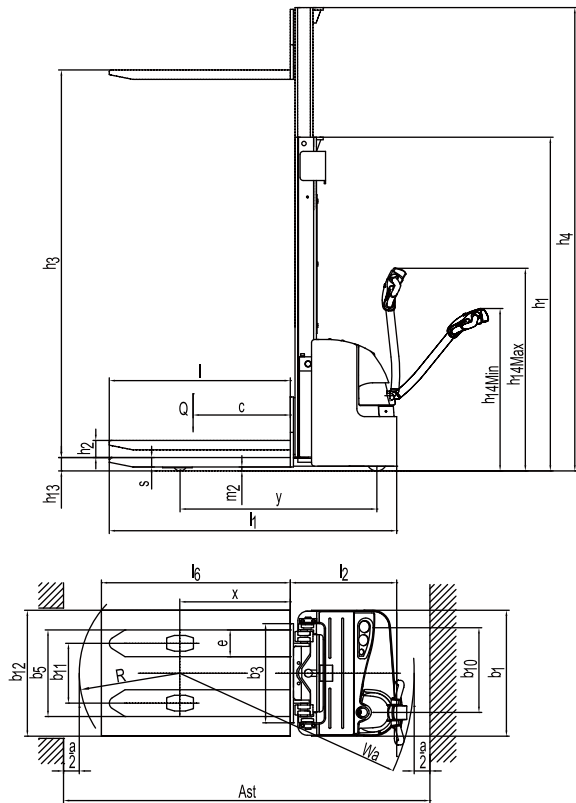
## ES12-12WA/ES14-14WA/ES16-16WA

Distinguishing mark						
1.1	Manufacturer			REDDOT	REDDOT	REDDOT
1.2	Model designation			ES12-12WA	ES14-14WA	ES16-16WA
1.3	Drive unit			Battery	Battery	Battery
1.4	Operator type			Pedestrian	Pedestrian	Pedestrian
1.5	rated capacity	Q	kg	1200	1400	1600
1.6	Load center distance	c	mm	600	600	600
1.8	Load distance, centre of drive axle to fork	x	mm	688	693	693
1.9	Wheelbase	y	mm	1225	1305	1305
Weight						
2.1	Service weight (include battery)		kg	950	1050	1070
2.2	Axle loading, laden driving side/loading side		kg	715/1435	755/1695	780/1890
2.3	Axle loading, unladen driving side/loading side		kg	645/305	715/335	730/340
Types, Chassis						
3.1	Tyre type Driving wheels/Loading wheels			PU/PU	PU/PU	PU/PU
3.2	Tyre size, driving wheels (diameter×width)		mm	Φ230×75	Φ230×75	Φ230×75
3.3	Tyre size, loading wheels (diameter×width)		mm	Φ85×70	Φ85×70	Φ85×70
3.4	Tyre size, caster wheels (diameter×width)		mm	Φ130×55	Φ130×55	Φ130×55
3.5	Wheels, number driving, caster/loading (x=drive wheels)		mm	1x +1/4	1x +1/4	1x +1/4
3.6	Track width, front, driving side	b <sub>10</sub>	mm	538	538	538
3.7	Track width, rear, loading side	b <sub>11</sub>	mm	380/430/515	360/410/495	360/410/495
Dimensions						
4.2	Height, mast lowered	h <sub>1</sub>	mm	1970	2030	2030
4.3	Free lift	h <sub>2</sub>	mm	100	100	100
4.4	Lift height	h <sub>3</sub>	mm	2930	2950	2950
4.5	Height, mast extended	h <sub>4</sub>	mm	3420	3465	3465
4.9	Height drawbar in driving position min./max.	h <sub>14</sub>	mm	715/1200	715/1200	715/1200
4.15	Lowered height	h <sub>13</sub>	mm	88	88	88
4.19	Overall length	l <sub>1</sub>	mm	1826	1940	1940
4.20	Length to face of forks	l <sub>2</sub>	mm	676	787	787
4.21	Overall width	b <sub>1</sub>	mm	800	800	800
4.22	Fork dimensions	s/ e/ l	mm	60×170×1150	60×190×1150	60×190×1150
4.24	Fork carriage width	b <sub>3</sub>	mm	680	680	680
4.25	Distance between fork-arms	b <sub>5</sub>	mm	550/600/685	550/600/685	550/600/685
4.32	Ground clearance, center of wheelbase	m <sub>2</sub>	mm	28	30	30
4.34.1	Aisle width for pallets 1000 × 1200 crossways	Ast	mm	2333	2465	2465
4.34.2	Aisle width for pallets 800 × 1200 lengthways	Ast	mm	2303	2440	2440
4.35	Turning radius	Wa	mm	1463	1589	1589
Performance data						
5.1	Travel speed, laden/ unladen		km/ h	5.0/5.5	5.0/5.5	5.0/5.5
5.2	Lifting speed, laden/ unladen		m/ s	0.10/0.16	0.13/0.16	0.13/0.16
5.3	Lowering speed, laden/ unladen		m/ s	0.19/0.18	0.22/0.13	0.22/0.13
5.8	Max. gradeability, laden/unladen		%	8/16	8/16	8/16
5.10	Service brake type			Electromagnetic	Electromagnetic	Electromagnetic
Electric-engine						
6.1	Drive motor rating S2 60 min		kW	1.1	1.1	1.1
6.2	Lift motor rating at S3 15%		kW	2.2	3	3
6.3	The maximum allowed size battery		mm	788×180×560	788×180×560	788×180×560
6.4	Battery voltage/nominal capacity K5		V/ Ah	24/210	24/210	24/230
6.5	Battery weight		kg	190	190	210
Addition data						
8.1	Type of drive unit			AC	AC	AC
10.5	Steering type			Mechanical Steering	Mechanical Steering	Mechanical Steering
10.7	Sound pressure level at the driver's ear		dB (A)	74	74	74

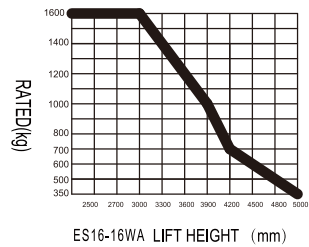
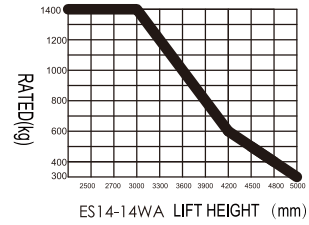
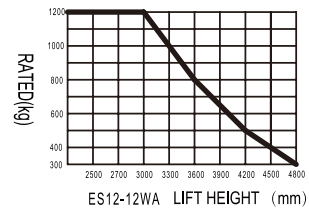
1.The parameters in the table are of the standard model. For more information, please contact us.

2.The parameters are subject to change without notice.

① This parameter is only representative of the vehicle climbing performance, actually depends on the ramp and through the left ramp angle design.



## RATED CAPACITIES GRAPH



## Mast Option ES12-12WA

Lift h3+h13 (mm)	mast types	Lowered mast height h1 (mm)	Free lift h2 (mm)	Extended mast height h4 (mm)
2500	Duplex ZT	1720	100	2900
2700		1820	100	3100
3000		1970	100	3400
3300		2120	100	3700
3600		2270	100	4000
3900		2420	100	4300
4170		2550	100	4560
4000	Triplex DZ	1822	1390	4460
4500		2022	1590	4960
4800		2122	1690	5260
2700	Duplex ZZ	1819	1320	3119
3000		1969	1470	3419
3300		2119	1620	3719

## ES14-14WA/ES16-16WA

Lift h3+h13 (mm)	mast types	Lowered mast height h1 (mm)	Free lift h2 (mm)	Extended mast height h4 (mm)
2700	Duplex ZT	1870	100	3165
3000		2020	100	3465
3300		2170	100	3765
3600		2320	100	4065
3900		2470	100	4365
4170		2600	100	4625
4000	Triplex DZ	1830	1390	4470
4500		2030	1590	4970
4800		2130	1690	5270

## Option

Option	ES12-12WA	ES14-14WA/ES16-16WA
Standard Fork length	• 750/900/1000/1300/1400/1500	• 750/900/1000/1300/1400/1500
mast screen	• triplex mast (organic glass)	• organic glass
Driving wheel	• Rubber wheel/Pu wheel with pattern	• Rubber wheel/Pu wheel with pattern
High capacity battery	• 165Ah/210Ah/230Ah	• 210Ah/230Ah/280Ah
cold storage	•	•
battery indicator without hour meter	•	•
proportional lifting	•	•
Vertical handler working	•	•
auto-filling water system	•	•