



T 204 H
T 235 H

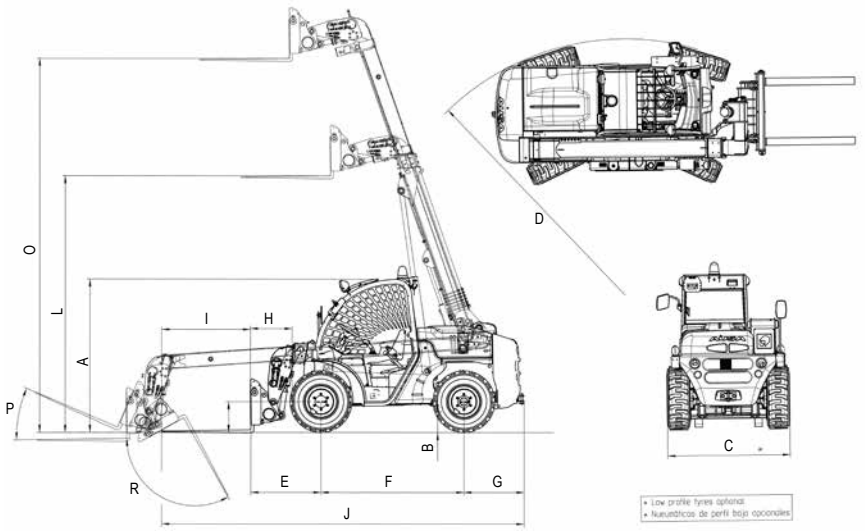


T 204 H T 235 H



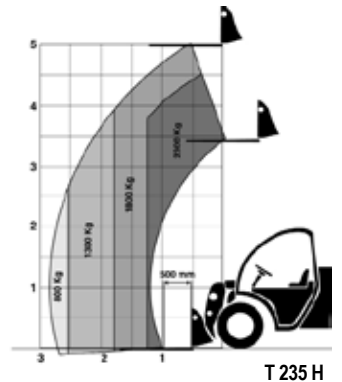
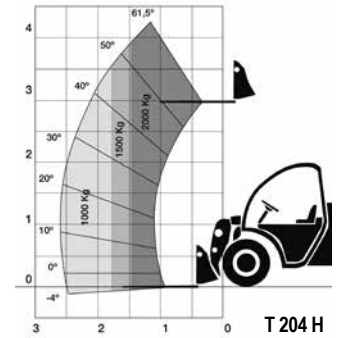
www.ausa.com

DIMENSIONS (mm)	T 204 H	T 235 H
A	2030/1960*	2030/1960*
B	275	275
C	1595	1595
D	2877	2877
E	849	1000
F	1910	1910
G	705	785
H	459	548
I	1200	1200
J	4664	4860
L	2990	3451
O	4200	5032
P	+20°	+24°
R	-120°	-119°



TECHNICAL SPECIFICATIONS

		T 204 H	T 235 H
Load capacity	Max. load	2.000 Kg @ 500 mm	2.300 Kg @ 500 mm
	Load at max. height	2.000 Kg @ 500 mm	1.800 Kg @ 500 mm
Lifting height	Maximum lifting height	4.200 mm @ 500 mm	5.000 mm @ 500 mm
	Lifting height at max. load	4.200 mm @ 500 mm	4.500 mm @ 500 mm
Reach	Max reach	2.598 mm	2.732 mm
	Capacity at max reach	1.000 Kg	800 Kg (1.300 Kg @ 2.550)
Unload weight		4.050 Kg	4.700 Kg
Engine	Diesel	Kubota V-2403	
	Power / rpm (SAE J1995)	36.5 Kw (50 CV)	
	N° of cylinders	4	
	Cooling system	Water	
Traction		4x4x4 permanent	
Transmission		Hidrostática de 2 velocidades	Hydrostatic with automatic regulation
		Inversor de marcha eléctrico en el joystick	Electric gear inverter in joystick
Engine starting system		Electric	
Speed		24 Km/h	
Gradeability		50%	44%
Hydraulic circuit	Working pressure	240 bar	
	Hydraulic pump	24 cc	
	Flow circuit	56 l/min	
Tyres	Front	10 / 75 - 15.3 (14PR)	10 / 75 - 15.3 (18PR)
	Rear	10 / 75 - 15.3 (14PR)	10 / 75 - 15.3 (18PR)
External turning radius (mm)		2.877 mm	2.877 mm
Steering	Type	Hydraulic	
	Mode	front wheel steer / all wheel steer / crab steer	
Tank capacity	Fuel	65 l	
	Hydraulic fluid	70 l	
Service brake		Disc brake, hydraulically actuated	
Parking brake		Mechanically actuated disk-brake	
STANDARD EQUIPMENT	Homologated FOPS/ROPS tilting cabin for easy service		
	Joystick with integrated functions, "total control of movements"		
	Adjustable ergonomic seat with safety belt		
	Rear view mirror		
	Audible reverse warning		
	Rotating beacon		
	Antivandalic system		
	Limited slip differential on front axle		
	4th auxiliary hydraulic service with quick coupling		
	Road Traffic Selector: Lock joystick and 2 front wheels steering		
	Active safety system with boom locking by instability/		
	Engine start lock with hand brake activated / Control arm lock without driver		
	Semi-closed cabin		
	Closed soundproof cabin with heater		
	Air conditioning integrated under the cabin		
Radiostereo CD			
Adjustable steering column			
Front protective grille			
Load backrest			
Electronic anti theft protection system			
Homologated lighting equipment			
Working light			
5th auxiliary hydraulic service with quick coupling			
Hydraulic quick coupling system (Universal SLL type or Euro)			
4th auxiliary hydraulic service with continuous flow			
Other tyres pattern available			
FEM II forks carriage with or without integrated side-sift (TDL)			
Bucket 4 in 1			
Bucket 600 lt / Bucket 700 lt / Bucket 1.000 lt			
Multiple attachments available proven and tested from factory			
OPTIONAL EQUIPMENT			



AUSA reserves the right to make any changes in the specifications without prior notice.