



M 350 H x4

**EL VEHICULO MULTIUSOS QUE FACILITA TU TRABAJO
THE TOOL-CARRIER THAT MAKES YOUR WORK EASIER
MULTITASK-GERÄTETRÄGER, DAS FAHRZEUG FÜR DEN HARTEN EINSATZ
LE VEHICULE MULTISERVICE QUI FACILITE VOTRE TRAVAIL**



www.ausa.com

AUSA Center, S.L.U. ● Ctra. de Vic, Km 2.8 - P.O.B. 194. 08243 Manresa - BARCELONA (ESPAÑA) Tel.: +34 93 874 73 11 - E-mail: ausa@ausa.com



ISO 9001

ISO 14001



AUSA Madrid ● Pol. Ind. Coslada - C. Marconi 15-17. 28823 Coslada - MADRID (ESPAÑA) Tel.: +34 91 669 00 06 - E-mail: ausa.madrid@ausa.com

AUSA France ● Z. I. Saint Charles - Rue de Zürich, 66000 PERPIGNAN (FRANCE) Tel.: +33 (0) 4 68 54 38 97 - E-mail: ausa.france@ausa.com

AUSA Deutschland ● Heinrich - Welken Str. 5. 59069 HAMM (GERMANY) Tel.: +49 (0) 2385-9359362 - E-mail: ausa.deutschland@ausa.com

BEIJING Rep. Office ● Address Room 527. HengXiang Building, Tuanjihu Nanli, Chaoyang District. - BEIJING 100026 (CHINA)

Tel.: 86-10-8597 1983 - Fax: 86-10-8597 1993 - E-mail: ausa.china@ausa.com

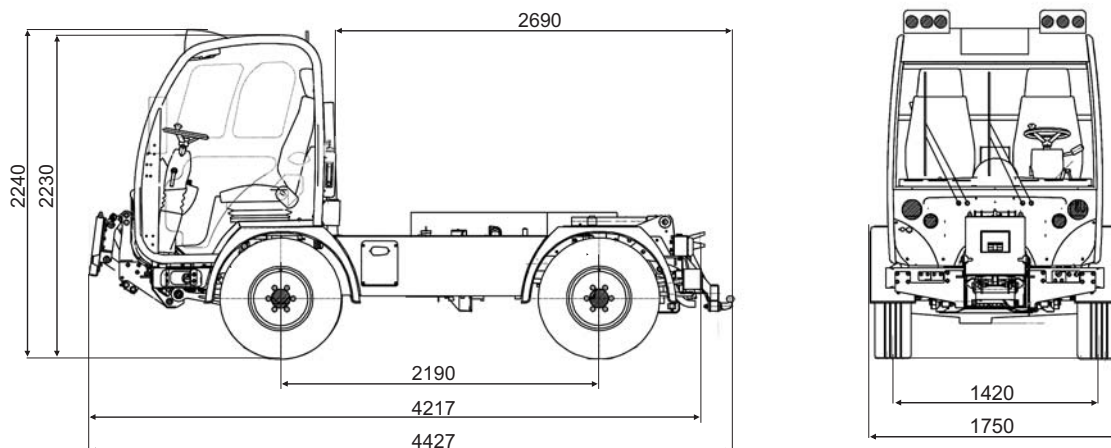
AUSA UK ● Tel.: 07970639988 - E-mail: ausa.uk@ausa.com

AUSA Brasil ● Tel.: +55 51 33622111 - E-mail: ausa.brasil@ausa.com

AUSA Mexico ● Gustavo Baz, 47. 53489 Naucalpan de Juarez, Edo. de México (MÉXICO) Tel.: +55 2166-9066 - E-mail: ausa.mexico@ausa.com

(Sede central AUSA-Manresa)

M 350 H 3500 Kg



TECHNICAL SPECIFICATIONS

| | | | | |
|---|---|---|--|------|
| Load capacity (Kg) | 3500 | Gradient negotiable (with full load) | 38% | |
| Load capacity with load bed (Kg) | 3000 | Brakes | Hydraulic pump with servo brake, discs on front wheels and drum on rear wheels (ABS + EBD optional / standard with 62 km/h) Mechanically applied, hydraulically released | |
| Hooper capacities (l) | Levelled | | | 1500 |
| | Heaped | | | 1800 |
| Engine | Make | VOLKSWAGEN | | |
| | Type | 2,01 TDI PD EURO 5 | | |
| | Power (Kw - Cv) | 75 - 102 (3000 rpm) | | |
| | N. of Cylinders | 4 | | |
| | Cooling | Liquid | | |
| | Fuel | Diesel | | |
| Fuel capacity (l) | 85 | Steering | Hydraulically power-assisted steering, supplied by TRW | |
| Transmission | 2 hydrostatic gear and 2 gear speed-reducer | | Suspension | |
| | Ground speed (Km/h) | Limited to 40 / Optional to 62 | | |
| | Traction | 4x4 continuous with central differential, COMPEN system and rear locking differential | | |
| Attack | Obstruction angle | 26° | | |
| | Departure angle | 62° | | |
| Weight (Kg) | Unloaded weight | 3170 (1735 front axle ; 1435 rear axle) | | |
| | Gross weight | 6400 (2650 front axle ; 3750 rear axle) | | |
| Hydraulic delivery | | Steering pump 12 l/min. Service pump 1: 35 l/min. // Service pump 2: 60 l/min. | | |
| Hydraulic power take-off | | 8 front, 6 rear ; Max. pressure. 180 bar / Max. flow. 60 l/min | | |

STANDARD EQUIPMENT

| | | | |
|--------------------------------|---|--|---------------------------|
| Closed cabin with heating | Heated rear mirrors elect. adjustable | Roating beacon with telescopic support of 450 mm | Approved lighting system |
| Electronic boost of rpm engine | Driver seat with pneumatic suspension | Wiring for transceiver set | Beacons elect. adjustable |
| Doors with panning visibility | Passenger seat with mechanic suspension | Radio | Wheel wrench |

OPTIONAL EQUIPMENT

| | | | |
|---|--|---|--|
| Front plate for attachments | Additional hydraulic kit service (3rd pump) for simultaneous use of 3rd accessory. With reg. of flow | Tacograph | Spare wheel |
| Semi-chassis "LINKSystem®" for quick coupling and removal of optional attachments | | Maximum speed. 62 km/h with ABS + EBD and load sensitive devide to adjust braking force | Air conditioning |
| tipping body | | Towing hitch ball (50 mm) with electric socket | Passenger seat with pneumatic suspension |
| | | Towing hitch "Rockinger" with electric socket | 4x2 rear locking differential |

ADDITIONAL ACCESSORIES

| | |
|--|---|
| Salt spreader | Hydraulic powered with easy removable system. Capacity: 1.3 m ³ |
| Snow-blade | Width 2.000 mm hydraulic swivel +/-30° |
| Snow sweeper broom | Height: 2 m |
| Brush cutter | Front and lateral reach arm brush-cutter, reaching distance up to 3.5 m |
| Hydraulic crane | With manual controls. Maximum reaching 7 m |
| | Articulated with radio control commands. Maximum reaching 7m Articulated with aerial work platform. Radio control commands, equipped with short load bed. Height máx. 8.5m. |
| Frame | Supplement for three-way load tipping with short load bed in crane equipment |
| Movex platform | Work height: 15.3m; load capacity: 200Kg./2 people. |
| Washing bar | Cool water; water tank: 2000 l; working pressure: 210 bar; water flow: 17 l/min Hot water; front spraying bar commanded by joystick; water tank: 2000 l; water pressure: 210 bar; water flow: 17 l/min; soap dosifier Sweeper and scrubber cupola washer; hot water; front spraying bar commanded by joystick; water tank: 2000 l; water pression: 210 bar; water flow: 38 l/min; soap dosifier |
| Water tank | Capacity: 2000 l; front bar high pressure pump |
| Support for attachment assembling | LINKSystem® |

MKT22023.02-04/2012