



**D 250 AHG**  
**D 250 AHGA**  
**D 350 AHG**  
**D 400 AHG**



[www.ausa.com](http://www.ausa.com)

**AUSA Center, S.L.** ● Ctra. de Vic, Km 2.8 - P.O.B. 194. 08243 Manresa - BARCELONA (ESPAÑA) Tel.: +34 93 874 73 11 - E-mail: [ausa@ausa.com](mailto:ausa@ausa.com)



**AUSA Madrid** ● Pol. Ind. Coslada - C. Marconi 15-17. 28823 Coslada - MADRID (ESPAÑA) Tel.: +34 91 669 00 06 - E-mail: [ausa.madrid@ausa.com](mailto:ausa.madrid@ausa.com)  
**AUSA France** ● Z. I. Saint Charles - Rue de Zürich, 66000 PERPIGNAN (FRANCE) Tel.: +33 (0) 4 68 54 38 97 - E-mail: [ausa.france@ausa.com](mailto:ausa.france@ausa.com)  
**AUSA Deutschland** ● Heinrich - Welken Str. 5. 59069 HAMM (GERMANY) Tel.: +49 (0) 2384-9889905 - E-mail: [ausa.deutschland@ausa.com](mailto:ausa.deutschland@ausa.com)  
**BEIJING Rep. Office** ● Address Room 527. HengXiang Building, Tuanjehu Nanti, Chaoyang District. - BEIJING 100026 (CHINA)  
 Tel.: 86-10-8597 1983 - Fax: 86-10-8597 1993 - E-mail: [ausa.china@ausa.com](mailto:ausa.china@ausa.com)

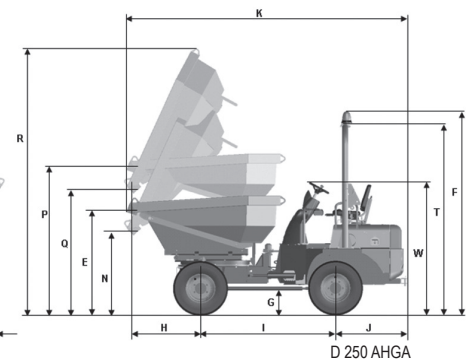
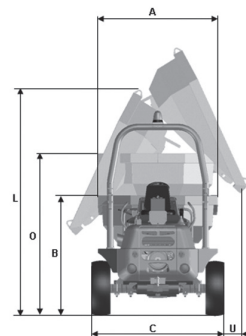
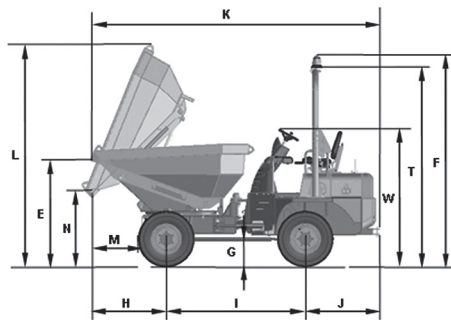
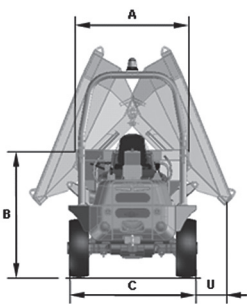
**AUSA UK** ● Tel.: 07970639988 - E-mail: [ausa.uk@ausa.com](mailto:ausa.uk@ausa.com)  
**AUSA Brasil** ● Tel.: +55 51 33622111 - E-mail: [ausa.brasil@ausa.com](mailto:ausa.brasil@ausa.com)  
**AUSA México** ● Calzada Vallejo, 725. 07750 Del. Gustavo A. Madero, México D.F. (MÉXICO) Tel.: +55 2166-9066 - E-mail: [ausa.mexico@ausa.com](mailto:ausa.mexico@ausa.com)

(Sede central AUSA-Manresa)

**D 250 AHG** \_2500 Kg  
**D 250 AHGA** \_2500 Kg  
**D 350 AHG** \_3500 Kg  
**D 400 AHG** \_2500 Kg

**AUSA**  
www.ausa.com

DIMENSIONS (mm)	D 250 AHG	D 250 AHGA	D 350 AHG	D 400 AHG
A	1503	1695	1852	1866
B	1694	1700	1740	1838
C	1755	1875	1858	1858
E	1500	1540	1506	1590
F	2915	2924	2956	2956
G	347	363	395	395
H	1050	980	1024	1200
I	1920	1920	1932	1950
J	1025	995	1025	1007
K	3975	4000	4120	4353
L	3070	3230	3105	3150
M	660	590	590	766
N	1050	1250	1035	860
T	2705	2705	2770	2770
U	364	250	327	502
W	1909	1909	1940	1940
O	-	2300	-	-
P	-	2140	-	-
Q	-	1850	-	-
R	-	3830	-	-



**TECHNICAL SPECIFICATIONS**

		D 250 AHG	D 250 AHGA	D 350 AHG	D 400 AHG
<b>Load capacity (Kg)</b>		2500		3500	4000
<b>Unloading system</b>		Hydraulic, 180° rotating	Hydraulic tipping	Hydraulic, 180° rotating	
<b>Chassis</b>		Articulated and oscillating			
<b>Hopper capacities (l)</b>	Water	818	817	1050	1350
	Levelled	1200	1246	1726	2163
	Heaped	1910	2063	2737	2941
<b>Engine</b>	Diesel	Kubota V2403M			
	Power acc./SAE J 1995 (KW/HP)	36.5 / 49.6			
	N° of Cylinders	4			
	Cooling system	Water			
<b>Traction</b>		4 x 4 permanent			
<b>Transmission</b>		2-speed hydrostatic. Front-reverse direction electro-hydraulic operated. Axles with planetary reduction on differential output			
<b>Engine starting system</b>		Electric			
<b>Speed (max.) (km/h)</b>		20		21	
<b>Unladen weight (Kg)</b>		2650	2960	2780	2830
<b>Gradient negotiable (with full load)</b>		70 %		54%	49%
<b>Hydraulic circuit</b>		Gear pump of 12 cc. Working pressure 180 bar			
<b>Tyres</b>	Front	10,0/75-15.3		11.5/80-15.3 (14 PR)	
	Rear	10,0/75-15.3		11.5/80-15.3 (14 PR)	
<b>External turning circle</b>		4225	4330	4680	4720
<b>Steering</b>		Hydraulic Working pressure 110 bar			
<b>Tank capacity (l)</b>	Fuel	44			
	Hydraulic fluid	40			
<b>Service brake</b>		Oil-immersed, multidisc, hydraulically operated			
<b>Parking brake</b>		Oil-immersed, multidisc, mechanically operated			
<b>STANDARD EQUIPMENT</b>		Foldable ROPS arch Anti vandal system Ergonomic seat with safety belt Rotating beacon Audible reverse warning			
<b>OPTIONAL EQUIPMENT</b>		Lighting equipment Towing hitch Electronic antitheft protection system			