



C 500 H
C 500 H x4



FullGrip® System exclusivo AUSA:
Tracción integral por discos múltiples conectable electro-hidráulicamente desde el mando joystick.

Exclusive AUSA FullGrip® System:
On demand 4WD connectable by means multiple discs with electro-hydraulic engagement from the joystick.

FullGrip® System de AUSA:
4 RM sur demande au moyen de disques multiples avec connexion electro-hydraulique depuis le joystick.

AUSA FullGrip® System:
Elektrohydraulisch, zuschaltbarer Allradantrieb – am Joystick zu betätigen.



www.ausa.com

AUSA Center, S.L. ● Ctra. de Vic, Km 2.8 - P.O.B. 194. 08243 Manresa - BARCELONA (ESPAÑA) Tel.: +34 93 874 73 11 - E-mail: ausa@ausa.com

ISO 9001 ISO 14001



(Sede central AUSA-Manresa)

AUSA Madrid ● Pol. Ind. Coslada - C. Marconi 15-17. 28823 Coslada - MADRID (ESPAÑA) Tel.: +34 91 669 00 06 - E-mail: ausa.madrid@ausa.com
AUSA France ● Z. I. Saint Charles - Rue de Zürich, 66000 PERPIGNAN (FRANCE) Tel.: +33 (0) 4 68 54 38 97 - E-mail: ausa.france@ausa.com
AUSA Deutschland ● Heinrich - Welken Str. 5. 59069 HAMM (GERMANY) Tel.: +49 (0) 2384-9889905 - E-mail: ausa.deutschland@ausa.com
BEIJING Rep. Office ● Address Room 527. HengXiang Building, Tuanjieshu Nanli, Chaoyang District. - BEIJING 100026 (CHINA)
 Tel.: 86-10-8597 1983 - Fax: 86-10-8597 1993 - E-mail: ausa.china@ausa.com

AUSA UK ● Tel.: 07970639988 - E-mail: ausa.uk@ausa.com

AUSA Brasil ● Tel.: +55 51 33622111 - E-mail: ausa.brasil@ausa.com

AUSA México ● Calzada Vallejo, 725. 07750 Del. Gustavo A. Madero, México D.F. (MÉXICO) Tel.: +55 2166-9066 - E-mail: ausa.mexico@ausa.com



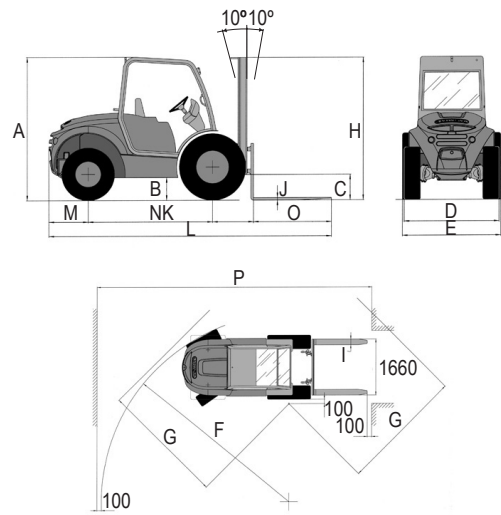
FEM-AEM



C 500 H/x4_5000Kg

AUSA
www.ausa.com

DIMENSIONS (mm)	C 500 H	C 500 Hx4
A	2335	2335
B	270	280
C	300	300
D	1640	1700
E	2000	2000
F	3560	4380
G	3050	3205
I	130	130
J	60	60
K	728	728
L	4623	4623
M	705	645
N	1990	2050
O	1200	1200
P	5680	6820



Type of mast	Maximum lifting height (mm)	Free lift (mm)	Machine height (mm)		Load (Kg) at max. height according stability test standard (A/B)*	
			C 500 H C 500 Hx4	C 500 H C 500 Hx4	(A) C 500 H/Hx4	(B) C 500 H / Hx4 Version HI
Duplex (Std.)	3700	100	2750	4585	5000	5000
Duplex	4500	100	3150	5385	4800	5000
Triplex (free lift)	4250	1393	2350	5262	5000	5000
Triplex (free lift)	5450	1793	2750	6462	1500	4250
Triplex (free lift)	6800	2243	3200	7812	600	3000

TECHNICAL SPECIFICATIONS

	C 500 H	C 500 Hx4
Load capacity (Kg) @ Centre of gravity	5000 a 600mm	
Lifting height (Standard duplex mast) (mm)	3700	
Engine	KUBOTA V 3600-T (IDI)	
Turbodiesel		
Power acc./ SAE J 1995 (KW/HP)	63 / 85.6	
N° of cylinders	4	
Cooling system	Water	
Traction	4x2	4x2 / 4x4 FullGrip®
Transmission	Hydrostatic with variable flow pump and automatic regulation Electric gear in joystick Inching pedal	
Unladen weight (Kg) (with full tanks)	7500	7600
Gradient negotiable (with full load)	30%	
Speed (Maximum) (Km/h)	20	
Engine starting system	Electric	
Tyres	Front Rear	18-19.5 TL 16 PR (C500H / Hx4) 8.15-15 (C500H) - 10.0 / 75-15.3 (C500Hx4)
Steering	Hydraulic. Working pressure 150 bar	
External turning circle (mm)	3560	4380
Tank capacity (l)	Fuel Hydraulic fluid	120 95
Service brake	Oil-immersed, multidisc, hydraulically driven	
Parking brake	Oil-immersed, multidisc, hydraulically driven	
Hydraulic circuit	30 - 10.6 cc. double gear pump	
Operating pressures for accessories (bar)	230+5	
Forkcarriage	FEM 4 - Width:1660 mm	
Stability test standard	(A)* (B)*	For rough terrain use – Models H – EN 1726-1; Annex H For industrial use – Models HI - ISO 1074
STANDARD EQUIPMENT	Open and tilting cabin Ergonomic and comfort seat with height, weight and distance adjustable with seat belt Rear-view mirrors Joystick with integrated functions Rotating beacon Audible reverse warning 3th auxiliary hydraulic service Side-shift	
OPTIONAL EQUIPMENT	Semi-closed cabin Closed cabin with heater Air conditioning Electronic anti-theft protection system Radio/Stereo CD Homologated lighting system Catalytic converter Spark arrestor Limited slip differential in front axle 4th auxiliary hydraulic service 5th auxiliary hydraulic service 600, 800 and 1000 l hydraulic buckets Load backrest Enhanced heater for Nordic countries Many other attachments fitted with manufacturer warranty	

AUSA reserves the right to make any changes in the specifications without prior notice.